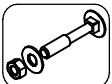
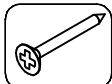

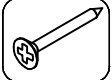
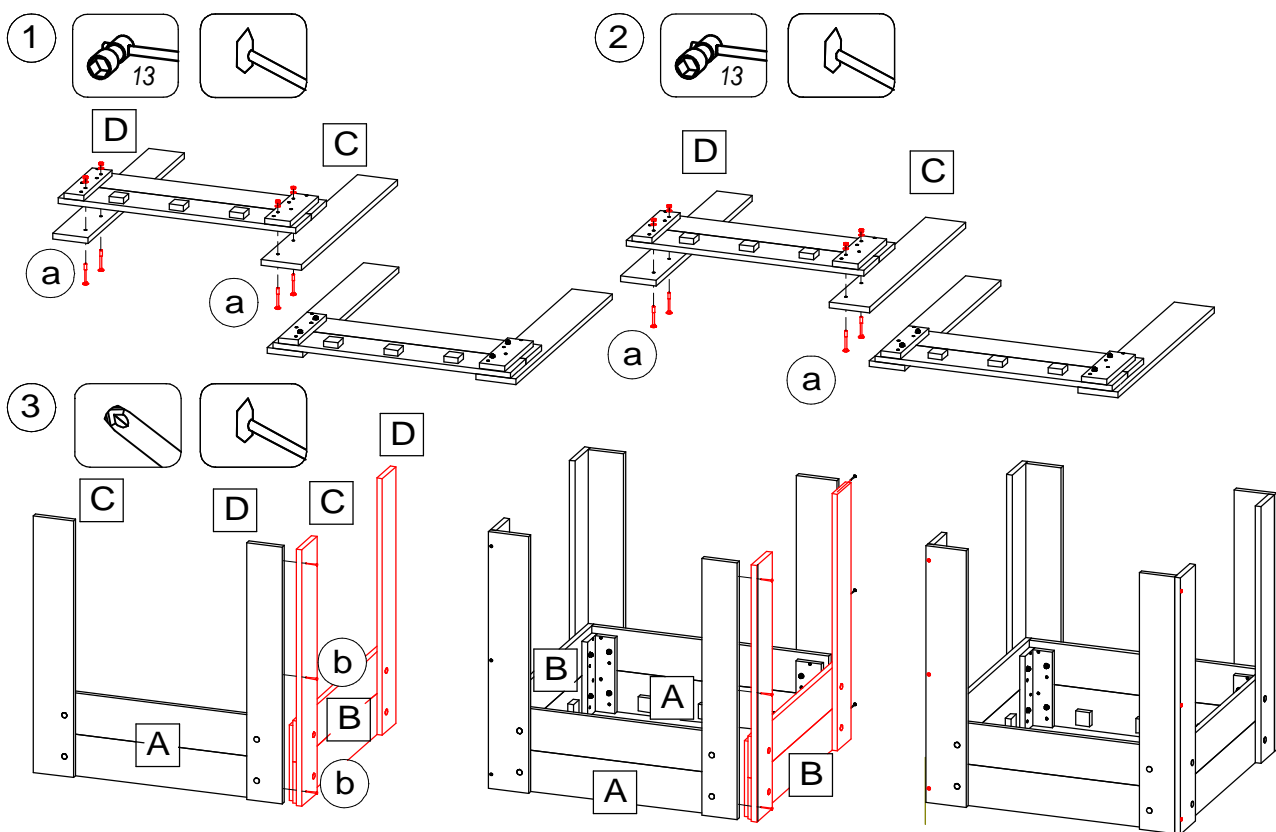


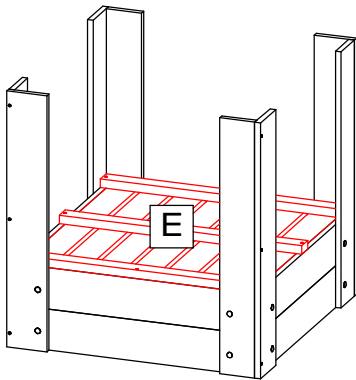
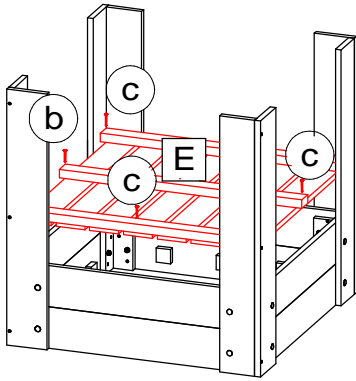
-  Sq M8x70 - 16set (a)
-  ø3,5x40 (SPAX) - 12 pcs. (b)
-  ø3,5x70 (SPAX) - 9 pcs. (c)
-  ø3x30 (SPAX) - 12 pcs. (d)

Component

A	Side 840x290x40 [pine]	2 pcs.
B	Side 840x290x40 [pine]	2 pcs.
C	Leg 20x142x900 [pine]	2 pcs.
D	Leg 20x125x900 [pine]	4+4 pcs.
E	Bottom 860x860x50 [pine]	1 pcs.
F	Upper lath 15x50x820 [pine]	6 pcs.
G1	Foil – non-woven 1400x900 (G1)	1 pcs.
G2	Foil – non-woven 320x900 (G2)	2 pcs.



4



5

